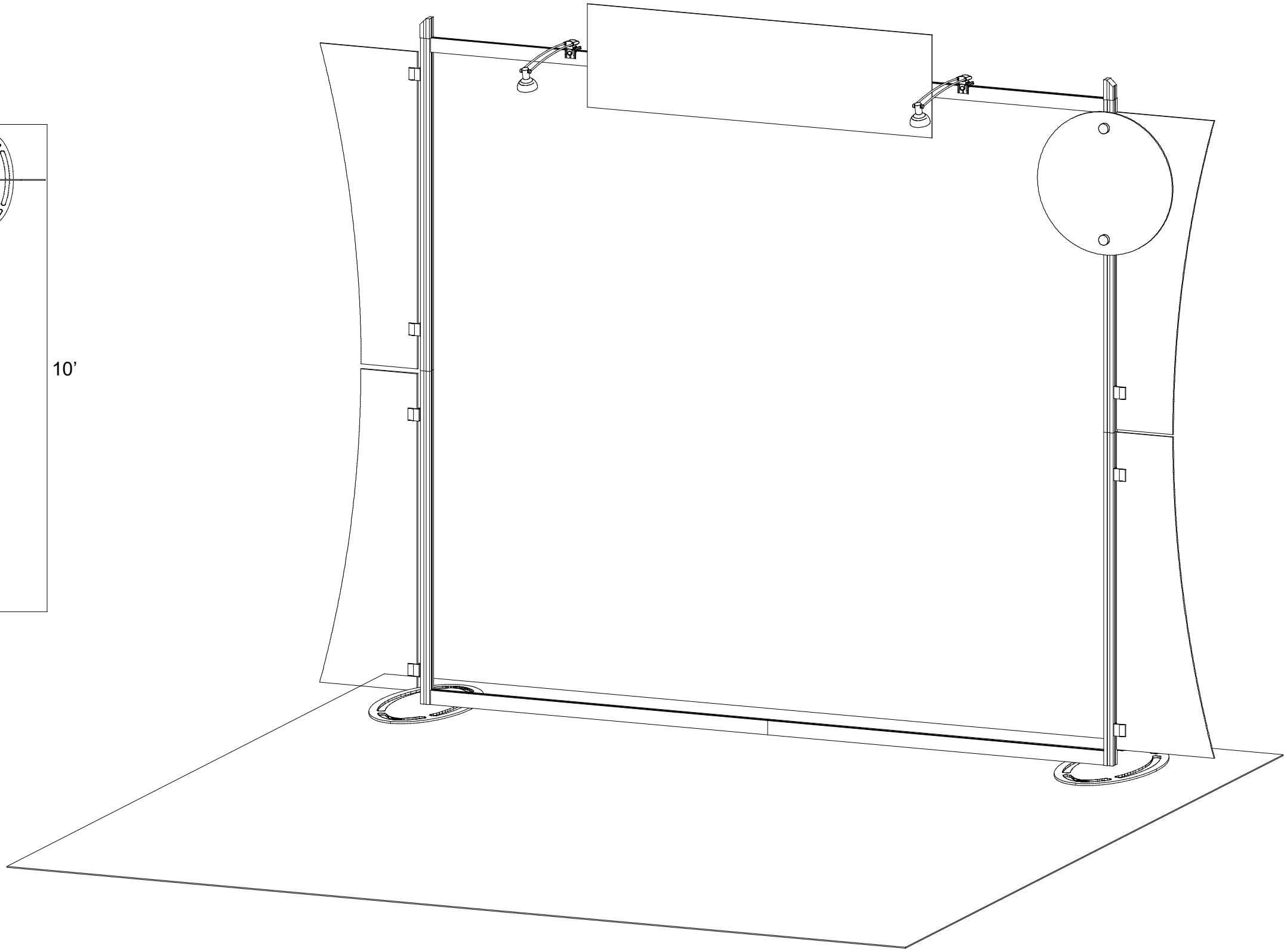
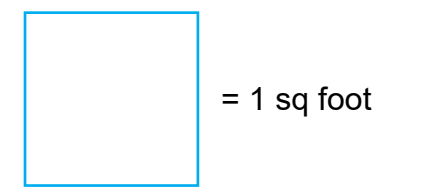
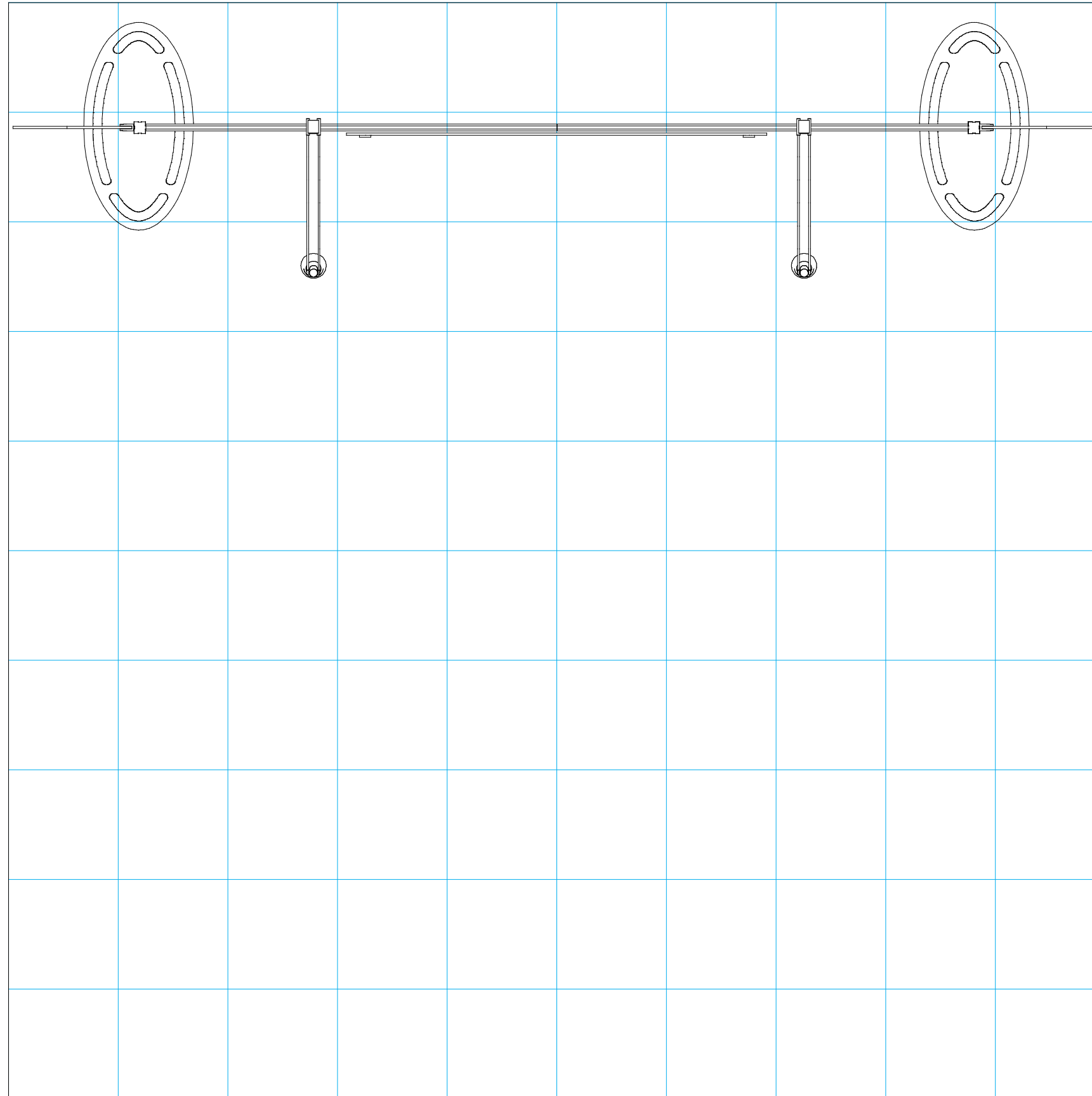


Plan View

10'





General Setup Instructions

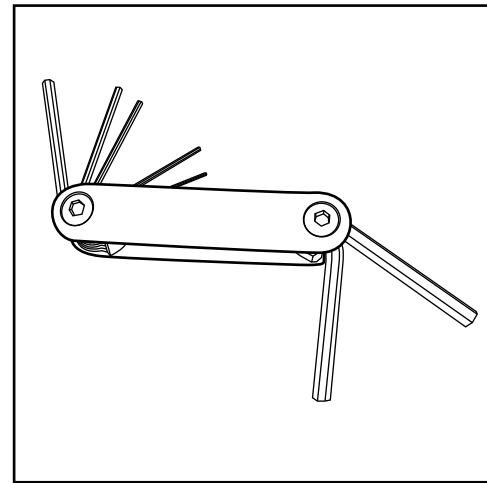
- Read entire setup instruction manual prior to unpacking parts and pieces.
- The setup instructions are created specifically for this configuration.
- Setup instructions are laid out sequentially in steps, including exploded views with detailed explanation for assembly.

Cleaning & Packing

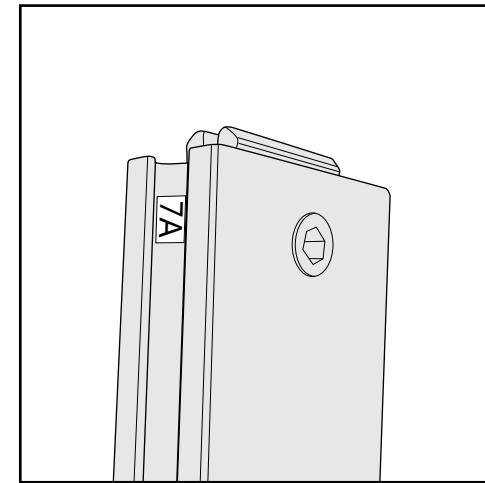
- For Cleaning Metal, Plex, & Laminate Parts: Use a **MILD NON-ABRASIVE** cleanser and soft cloth/paper towel to clean all surfaces.
- Keep exhibit components away from heat and prolonged sun exposure. **Heat and UV exposure will warp and fade components.**
- Retain all provided Packing Materials. All provided packing materials are for ease of repacking & component protection.

Disassembly

- For loss prevention, tighten all set screws and locks during disassembly.



Hex Tool - Essential for Assembly



Part Identification - Numbering



Spline Connection



Base Plate & Extrusion Connection



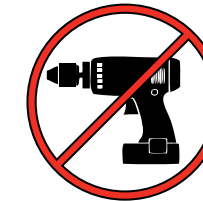
Extrusion & Lock Connection



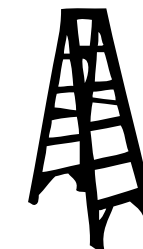
Engaged Lock



WARNING



DO NOT USE POWER TOOLS



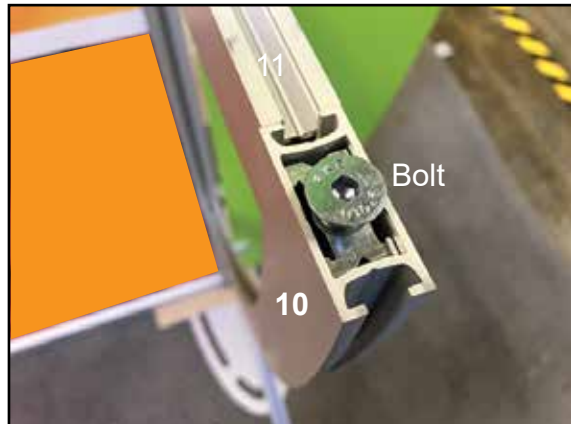
LADDERS OR LIFTS
MAY BE REQUIRED



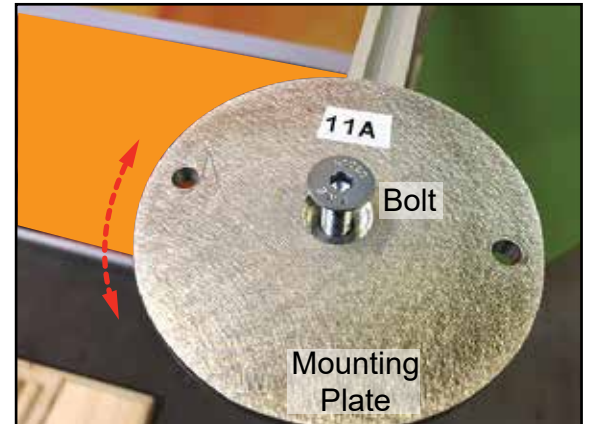
ALL CONNECTIONS MUST
BE TIGHTLY SECURED



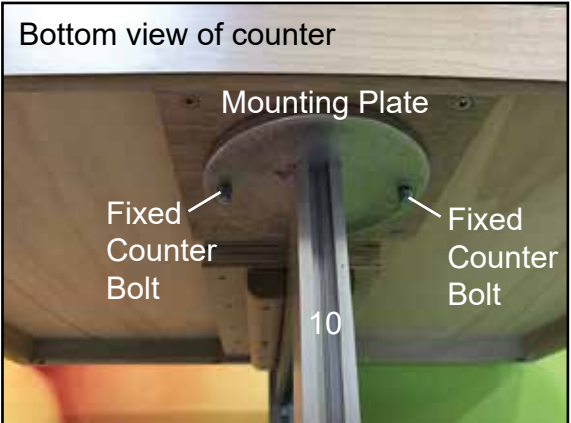
1) Mounting plate & wing nuts, in packed position.



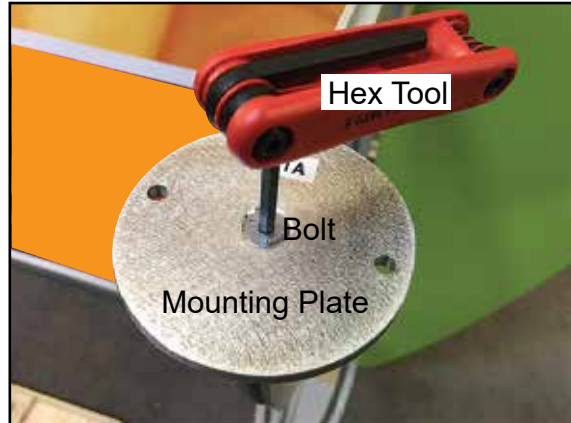
2) Mounting plate bolt in, packed position.



3) Place mounting plate onto [10] then tighten bolt, part way, allowing some rotation for final positioning.



4) Place fixed counter bolts into mounting plate, then lift counter to re-tighten bolt.

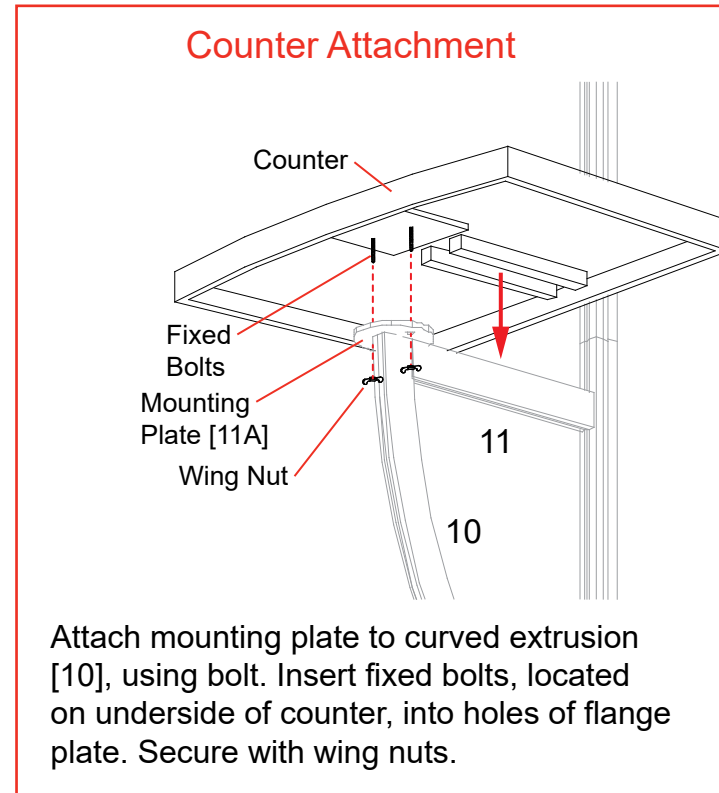


5) Tighten bolt, using hex tool, to secure.



6) Place fixed counter bolts into mounting plate, then secure using wing nuts.

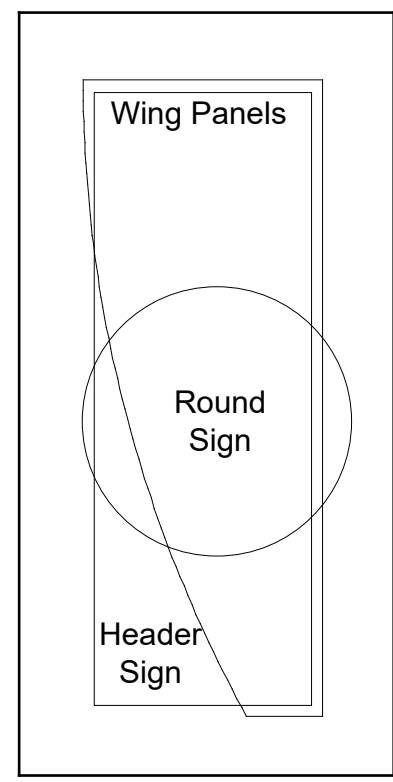
Completed Assembly



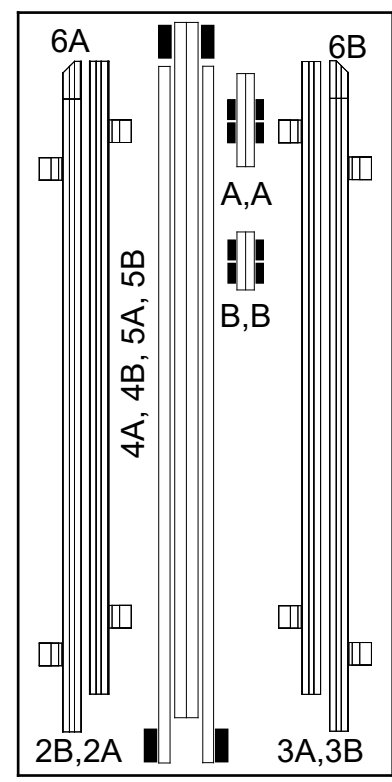
Keep mounting plate [11A] and wing nuts attached to counter, when packing.

Keep bolt attached to [10], when packing.

Top View of Each Level



Level 1 (Bottom Level)



Level 2

Lights

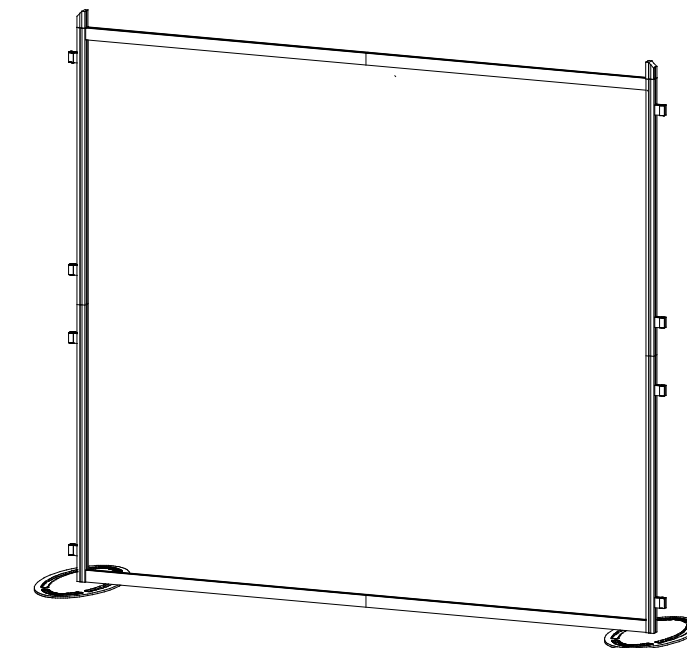
Graphics

Setup Hardware
Base Plates

Item	Qty.	Description
1	2	Base Plate
2A,2B	1,1	42" S40 Vertical Extrusion w/ A10 Clamps
3A,3B	1,1	42" S40 Vertical Extrusion w/ A10 Clamps
4A,4B	1,1	45" Z45 Horizontal Extrusion
5A,5B	1,1	45" Z45 Horizontal Extrusion
6A,6B	1,1	2.5" S40 Angle-Cut Vertical

Steps:

- 1) Attach base plates [1] lower verticals [2A] and [3A], using bolts.
- 2) Connect verticals [2A to 2B] and [3A to 3B], using connection bars [B].
See [Straight Connection with Knobs](#) detail.
- 3) Connect horizontals [4A to 4B] and [5A to 5B], using connection bars [A].
See [Straight Connection with Knobs](#) detail.
- 4) Connect assemblies [2A/2B] and [3A/3B] with assemblies [4A/4B] and [5A/5B].
See [Corner Connection with Knob](#) detail.
- 5) Connect extrusions [6A to 2B] and [6B to 3B].
See [2.5" h Angle-Cut Vertical Attachment](#) detail.
- 6) Attach graphic to Velcro on back of assembled Backwall.



When Assembled

Keep extrusions [6A, 6B] attached to [2B, 3B].
Keep A10 clamps attached to [2A, 2B, 3A, 3B].

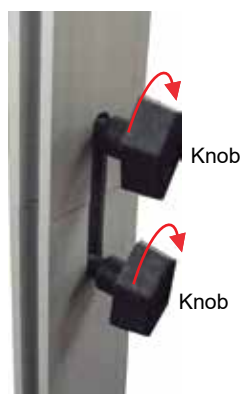
★ **Corner Connection with Knob**



Turn knob clockwise to tighten lock.

Do not over tighten Knobs

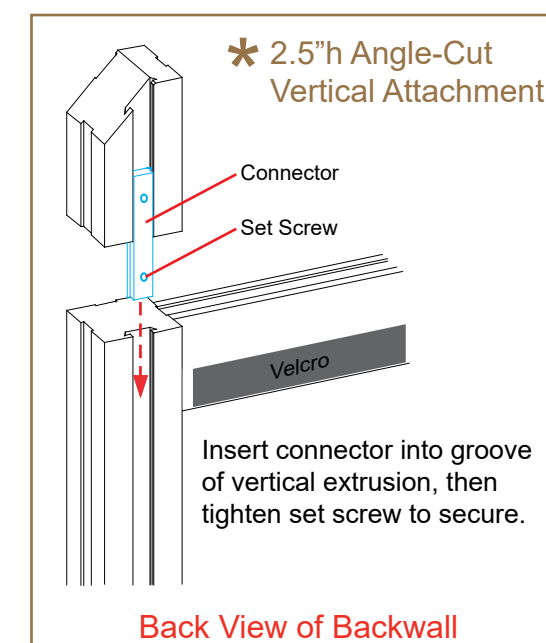
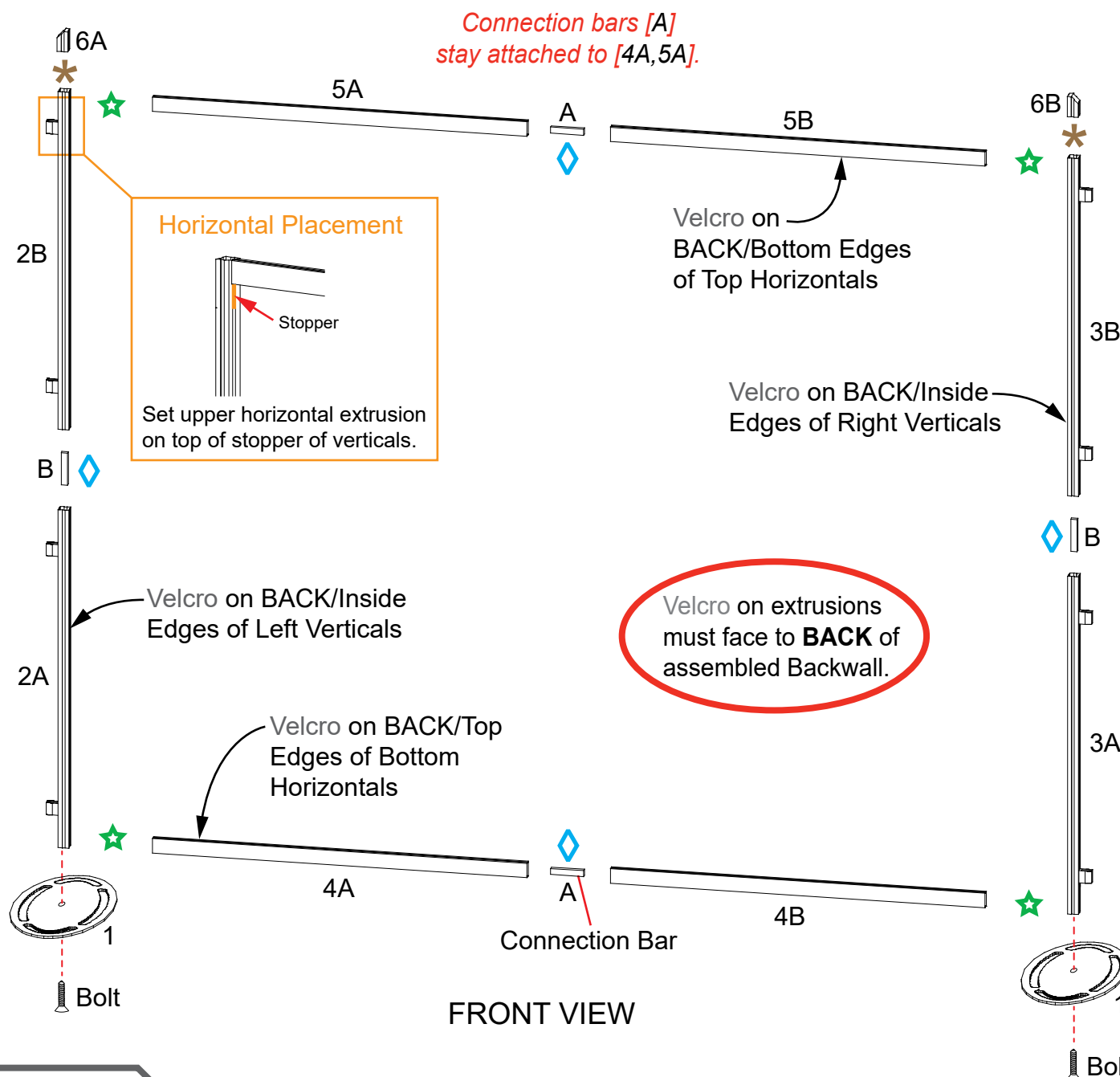
◆ **Straight Connection with Knobs**



Slide connection bar between extrusions, then turn knobs clockwise to tighten lock.

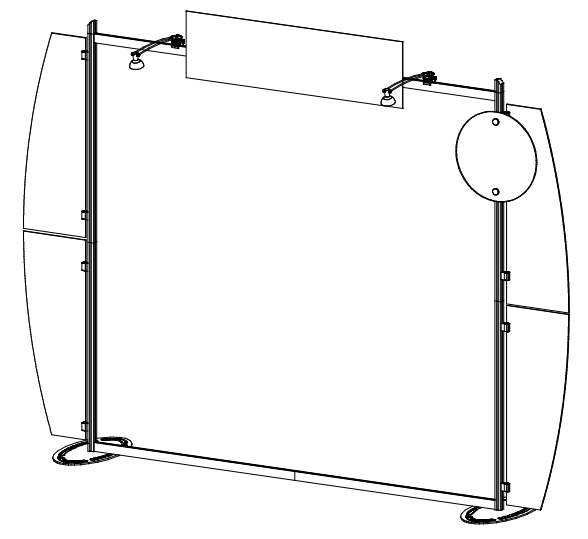
Do not over tighten Knobs

Connection bars [B] stay attached to [2A, 3A].



Steps:

- 1) Connect lights to top horizontal extrusions [5A/5B]. See **Light Connection** detail.
- 2) Affix Header Graphic to top horizontals, using Velcro.
- 3) Attach wings to A10 clamps. See **Clamp Attachment** detail.
- 4) Attach sign to vertical extrusion [3B]. See **Sign Attachment** detail.

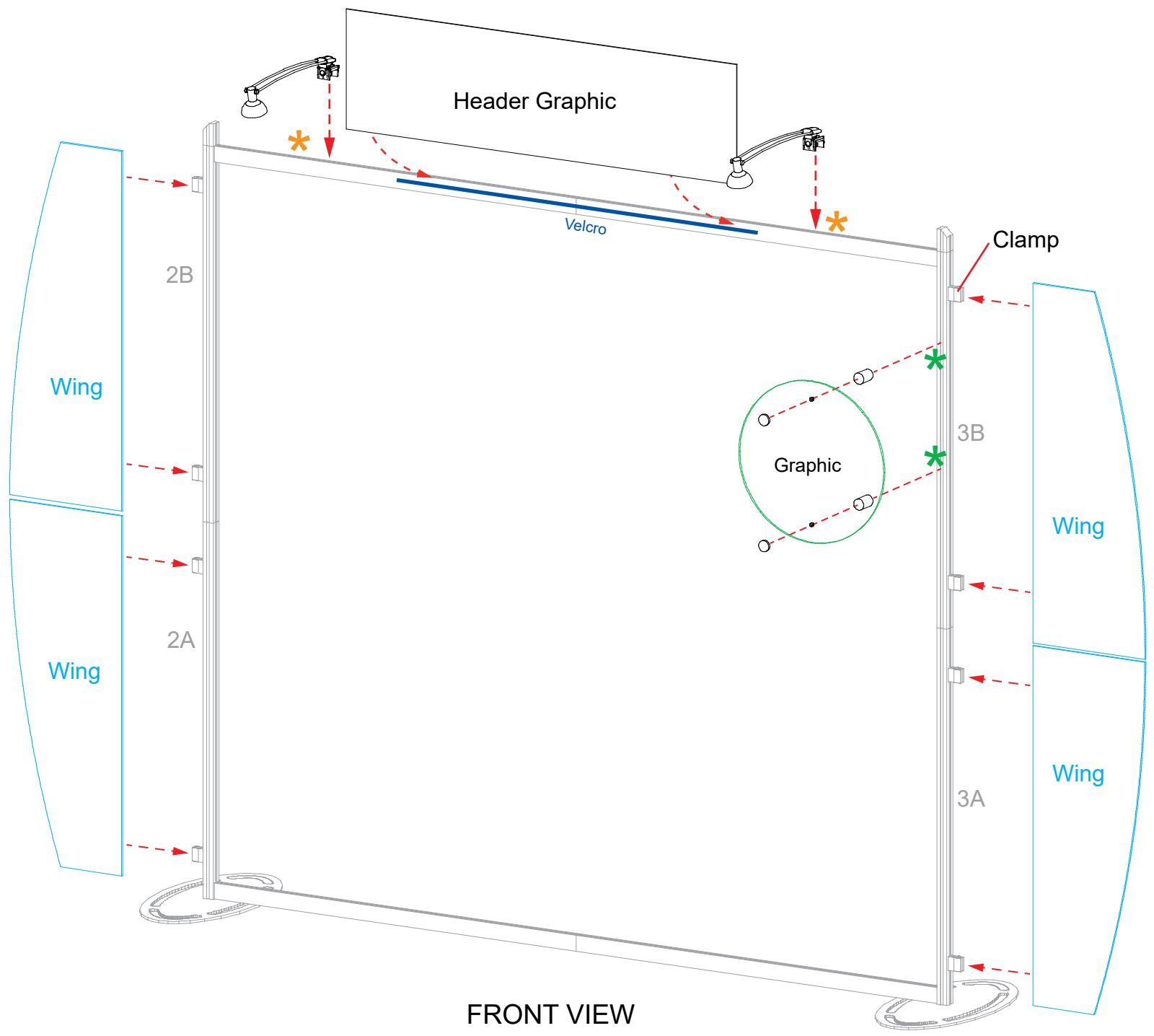


When assembled

Clamp Attachment

- 1) Slide connector of clamp into extrusion groove.
- 2) Tighten set screw when A10 is in desired location.
- 3) Insert wing into clamp.
- 4) Tighten knob on clamp to secure wing in place.

Keep A10 clamps attached to verticals.



FRONT VIEW

*** Light Connection**

Slide light onto clip then lock clip into groove of horizontal extrusion.

*** Sign Attachment**

Slide connector into groove of extrusion. Tighten set screws to secure in place. Screw standoff into connector. Place sign between standoff and cap then tighten cap to secure sign.