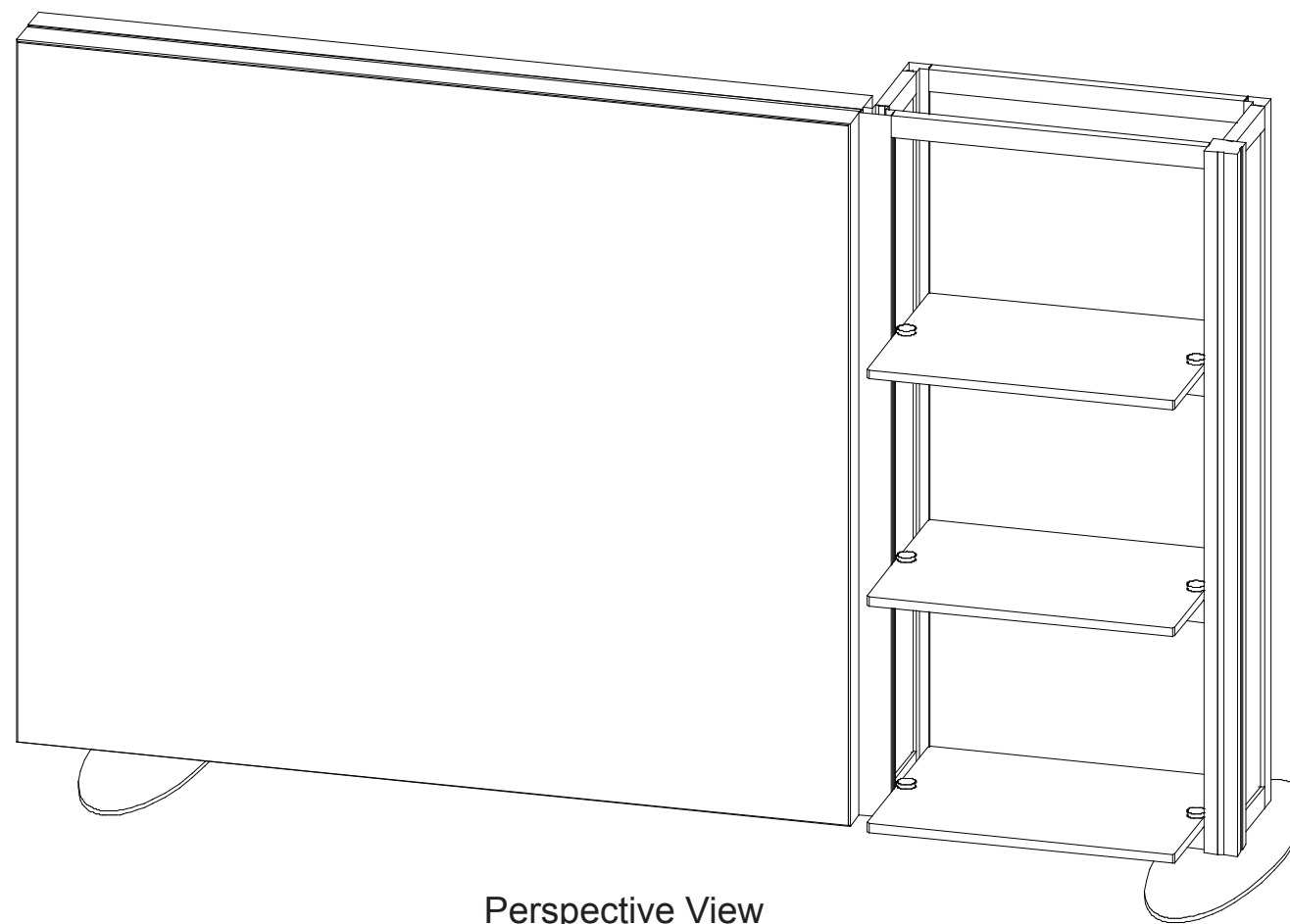


Plan View



Perspective View

General Setup Instructions

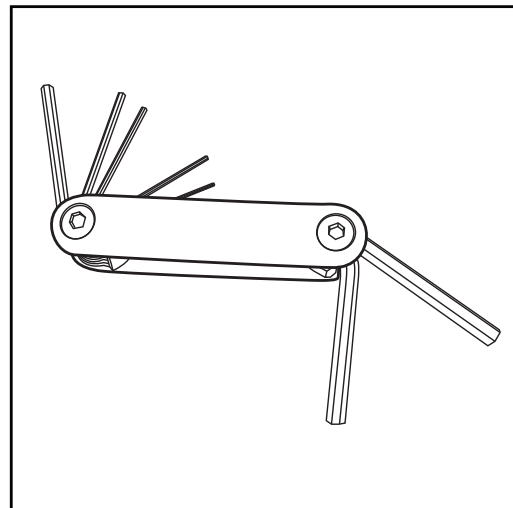
- Read entire setup instruction manual prior to unpacking parts and pieces.
- The setup instructions are created specifically for this configuration.
- Setup instructions are laid out sequentially in steps, including exploded views with detailed explanation for assembly.

Cleaning & Packing

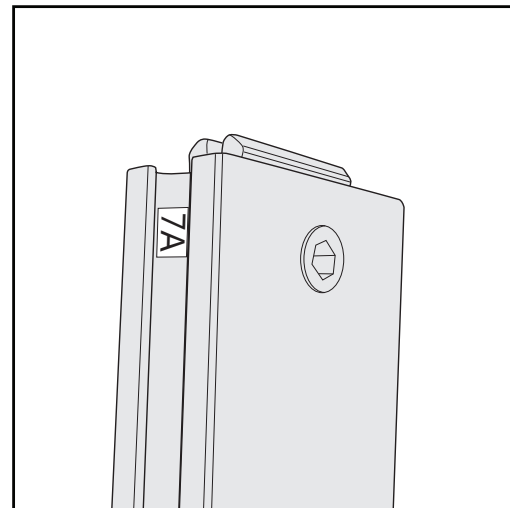
- For Cleaning Metal, Plex, & Laminate Parts: Use a **MILD NON-ABRASIVE** cleanser and soft cloth/paper towel to clean all surfaces.
- Keep exhibit components away from heat and prolonged sun exposure.
Heat and UV exposure will warp and fade components.
- Retain all provided Packing Materials. All provided packing materials are for ease of repacking & component protection.

Disassembly

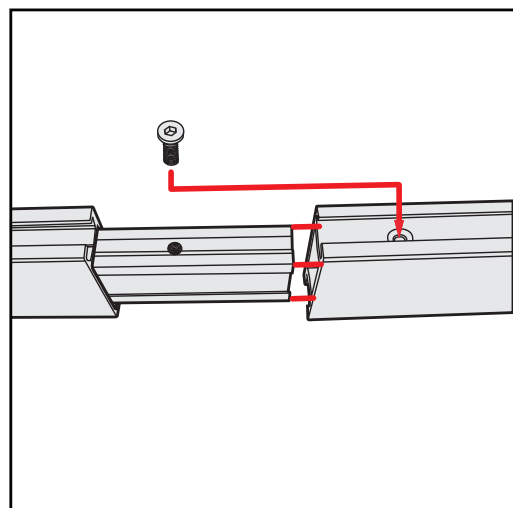
- For loss prevention, tighten all setscrews and locks during disassembly



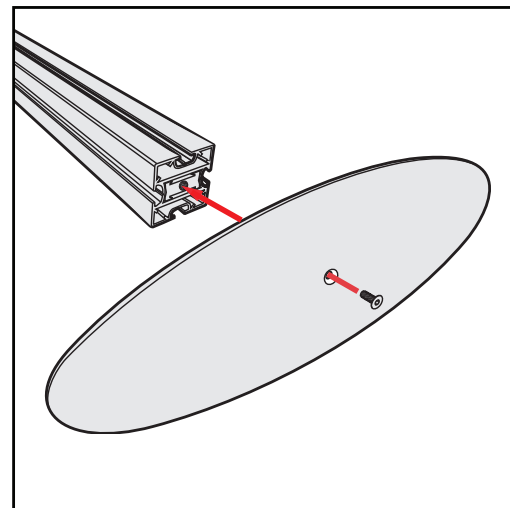
Hex Tool - Essential for Assembly



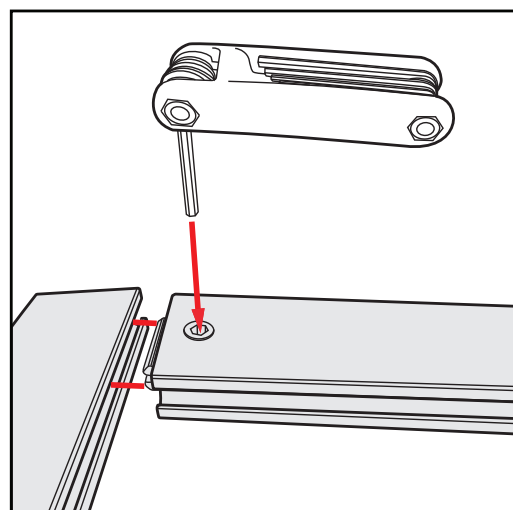
Part Identification - Numbering



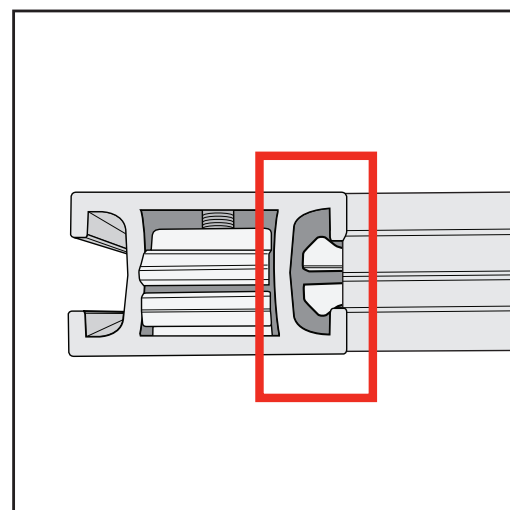
Spline Connection



Base Plate & Extrusion Connection



Extrusion & Lock Connection



Engaged Lock



WARNING



DO NOT USE POWER TOOLS

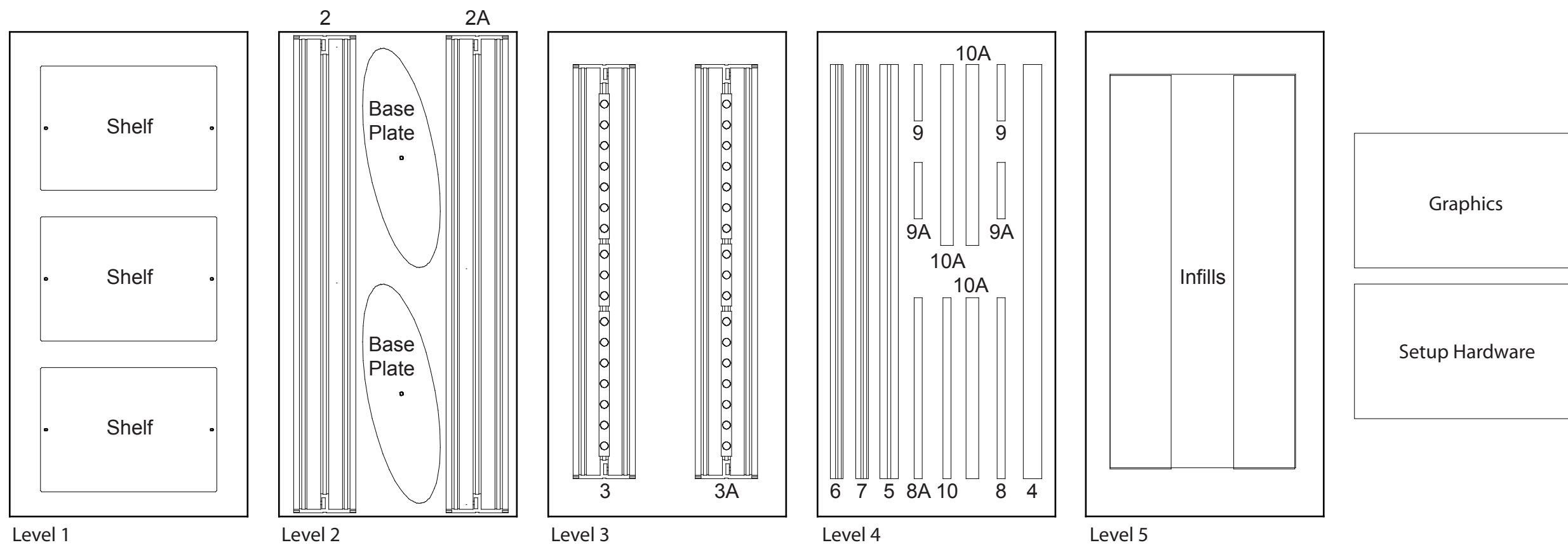


LADDERS OR LIFTS
MAY BE REQUIRED



ALL CONNECTIONS MUST
BE TIGHTLY SECURED

Top View of Each Level



Item	Qty.	Description
1/1A	1/1	Base Plate
2/2A	1/1	46" CEI152 Horizontal Extrusion
3/3A	1/1	40" CEI152 Vertical Extrusion
4	1	40" GS220 Vertical Extrusion
5	1	40" S44 Vertical Extrusion
6	1	40" GS220 Vertical Extrusion
7	1	40" GS220 Vertical Extrusion
8/8A	1/1	17.4075" Z45 Horizontal Extrusion
9/9A	2/2	5.4022" Z45 Horizontal Extrusion
10/10A	1/3	17.3976" Z45 Horizontal Extrusion

Steps:

- 1) Attach Base Plate [1] to Horizontal [2], using Bolt, Washer, and Wing Nut.
- 2) Attach Base Plate [1A] to Vertical [5], using Bolt.
- 3) Assemble lightbox frame [2,2A,3,3A] together. See General Information page for Corner Bracket Installation details.
- 4) Assemble Verticals [4,5,6,7], using Horizontals [8,9].
- 5) Slide Infills between and secure with Horizontals [8A,9A] on top.
- 6) Connect Vertical [4] to Vertical [3A]. See **GS300 to CEI152 Connection** detail.
- 6) Attach Horizontals [10,10A] between Verticals [4,5].
- 7) Connect Shelves to Horizontals [10A], using Connectors and Caps. See **Shelf Connection** detail.

